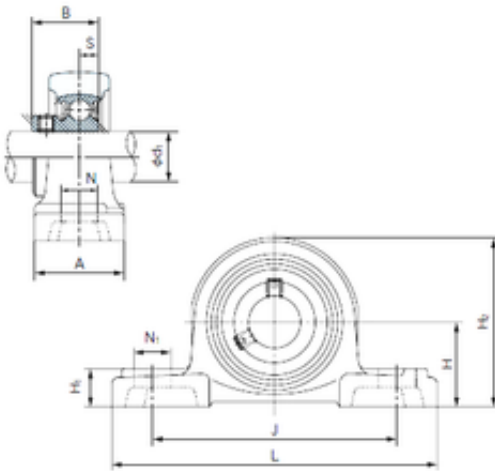




NACHI BP204 Bearing Units

Bearing No. BP204



BP204 Bearing 2D drawings and 3D CAD models

| | |
|---------------|---------|
| Bore Diameter | 20 mm |
| Width | 24.7 mm |
| d | 20 mm |
| A | 38 mm |
| B | 24.7 mm |
| H | 33.3 mm |
| H1 | 15 mm |
| H2 | 65 mm |
| J | 95 mm |
| L | 127 mm |
| N | 13 mm |
| N1 | 19 mm |